



Red Retro Kitchen

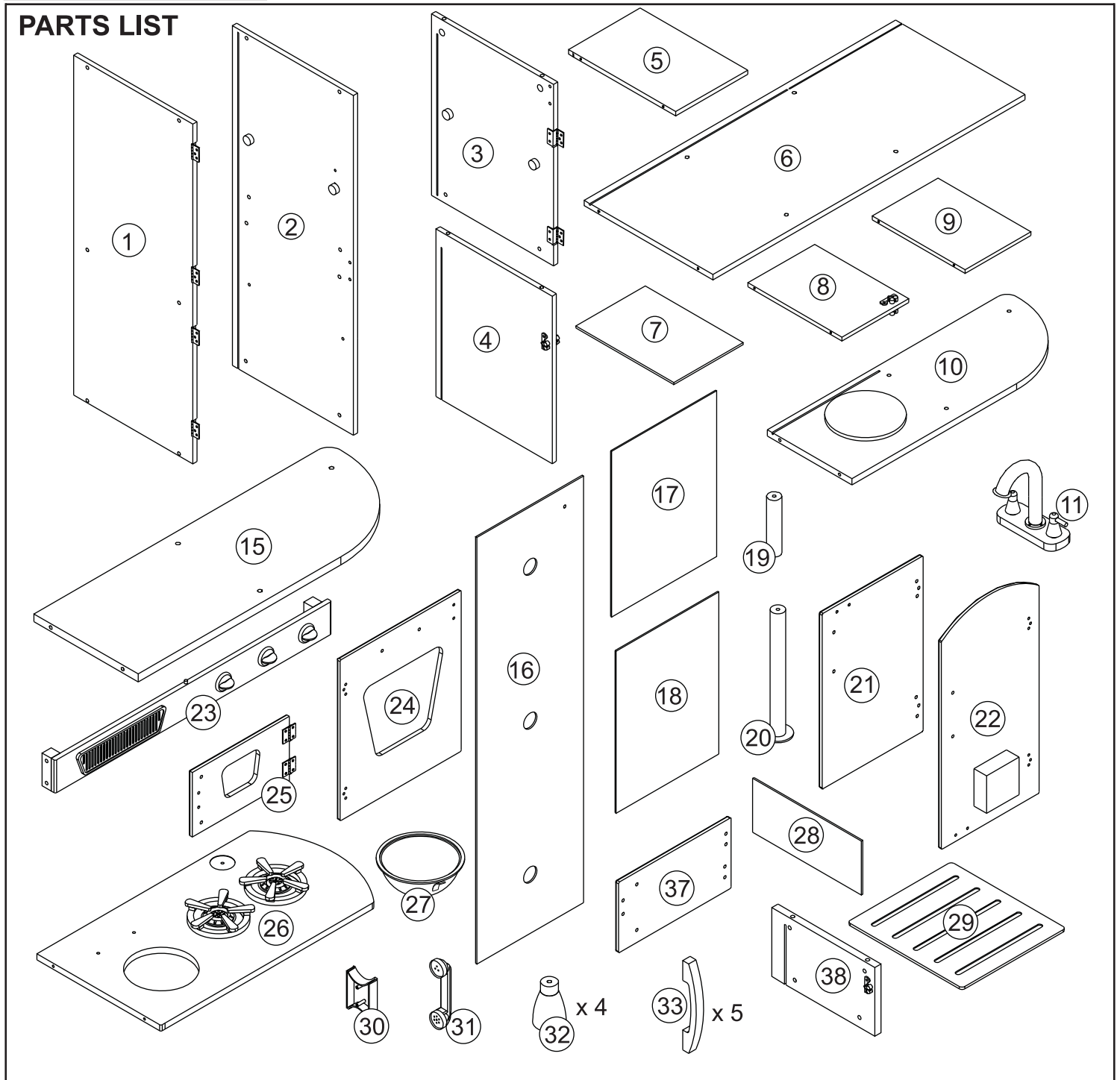
Assembly Instructions

© 2010 KidKraft, LP

Please retain this information for future reference

Item #53173B

PARTS LIST



GB Must be assembled by an adult.

DE Muss von einem Erwachsenen zusammengesetzt werden.

DK Skal samles af en voksen.

SE Ska monteras av en vuxen.

NO Må settes sammen av en voksen.

FI Aikuisen tulee koota tämä tuote.

PL Montaż powinna przeprowadzić osoba dorosła

EE Toode tuleb kokku panna täiskasvanul

LV Jāsaliek pieaugušajam

LT Surinkti turi suaugęs asmuo

IS Skal setja saman af fullorðnum



Red Retro Kitchen

Assembly Instructions

© 2010 KidKraft, LP

Item #53173B

HARDWARE

A. Red Cross Dowel Bolt x 23



2 5/16 in, 58 mm

B. Cross Dowel Nut x 26



C. Twist Nut x 8



D. Threaded Dowel x 1



E. Red Screw x 14



1 in, 25 mm

F. Cross Dowel Bolt x 5



2 5/16 in, 57 mm

G. Red Bolt x 16



7/8 in, 21 mm

H. Red Hex Bolt x 4



1 3/4 in, 45 mm

I. Silver Flat Bolt x 2



1 1/4 in, 32 mm

J. Screw x 10

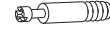


5/16 in, 8 mm

K. Small Nylon Lock Nut x 26



L. Cam Lock x 8



M. Latch x 5



N. Hex Bolt x 2



1 1/8 in, 28 mm

O. Washer x 2



P. Red Bolt x 8



3/4 in, 18 mm

Q. Hinge x 2



Allen Wrench x 1



Wrench x 1

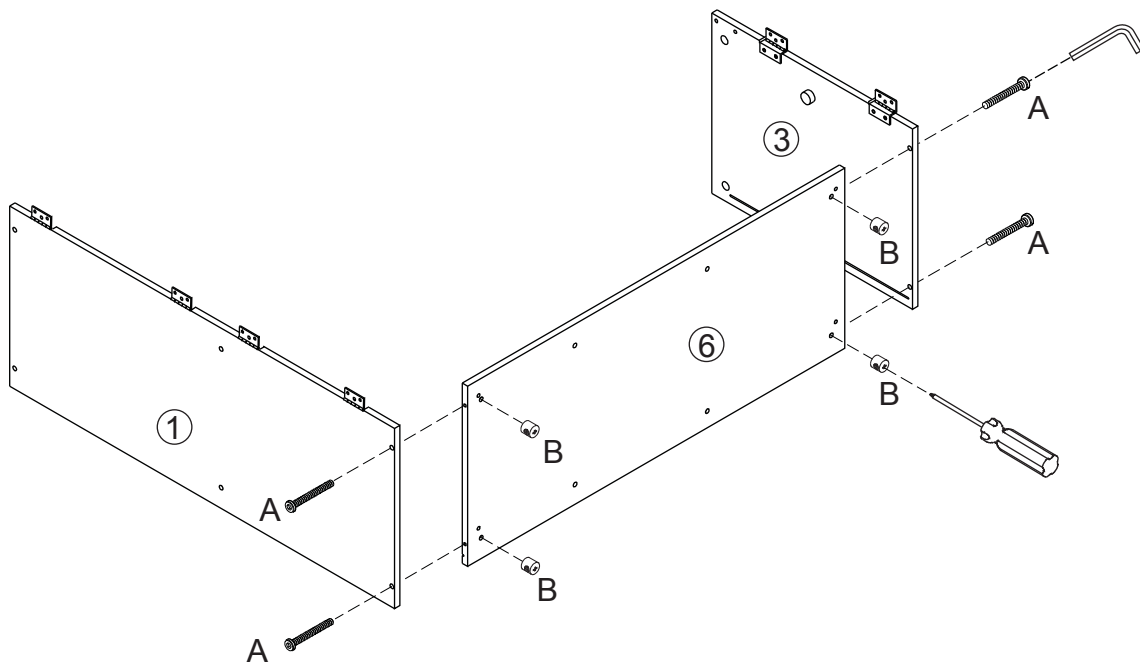


The following tool (not included) is required for assembly:



Phillips® Screwdriver

Step 1





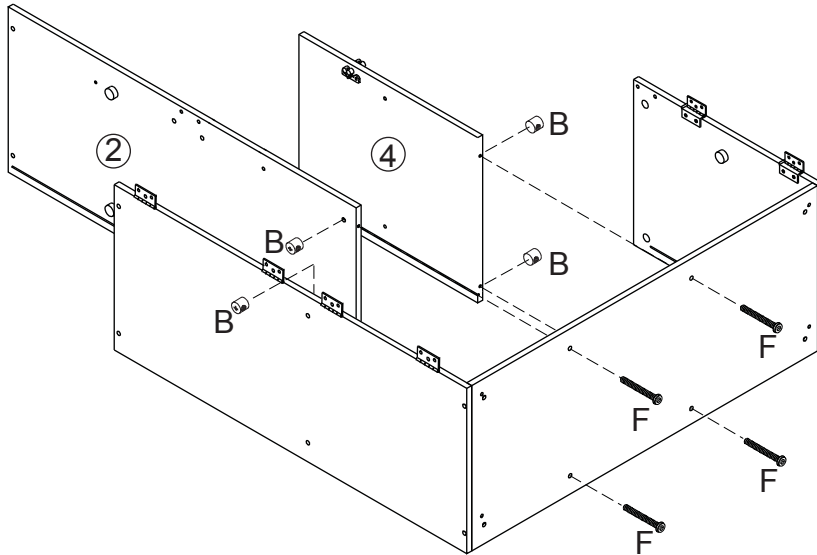
Red Retro Kitchen

Assembly Instructions

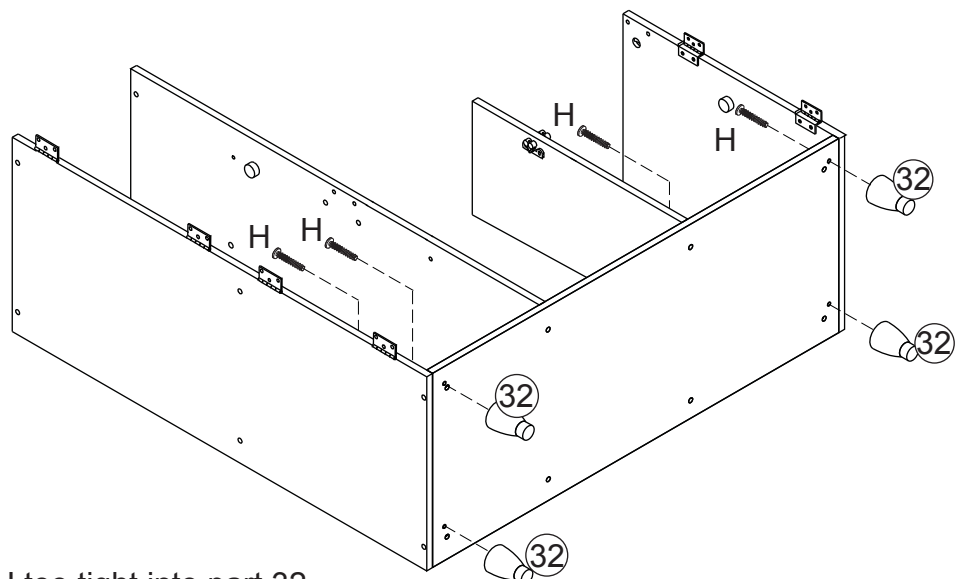
© 2010 KidKraft, LP

Item #53173B

Step 2



Step 3



Be careful not to screw part H too tight into part 32.



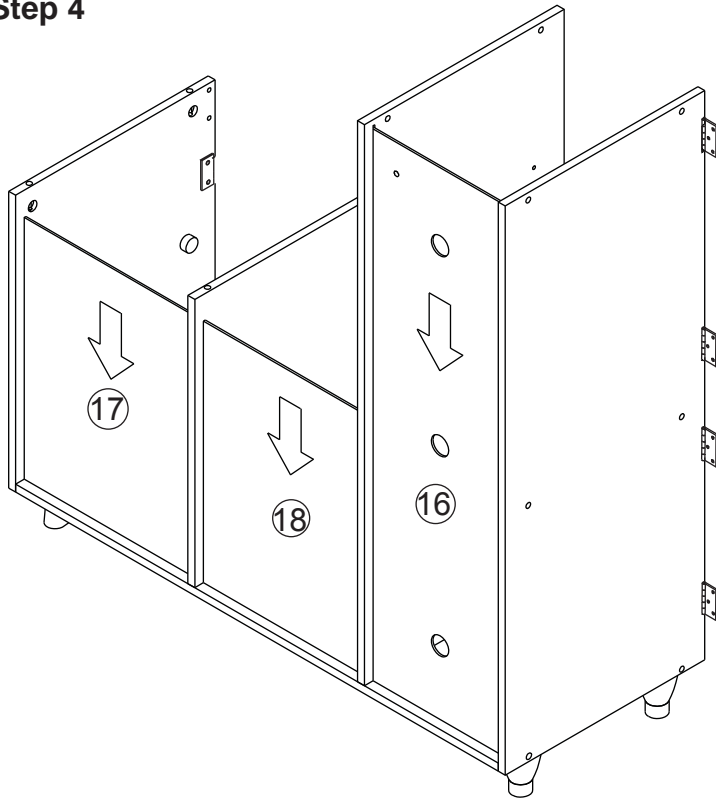
Red Retro Kitchen

Assembly Instructions

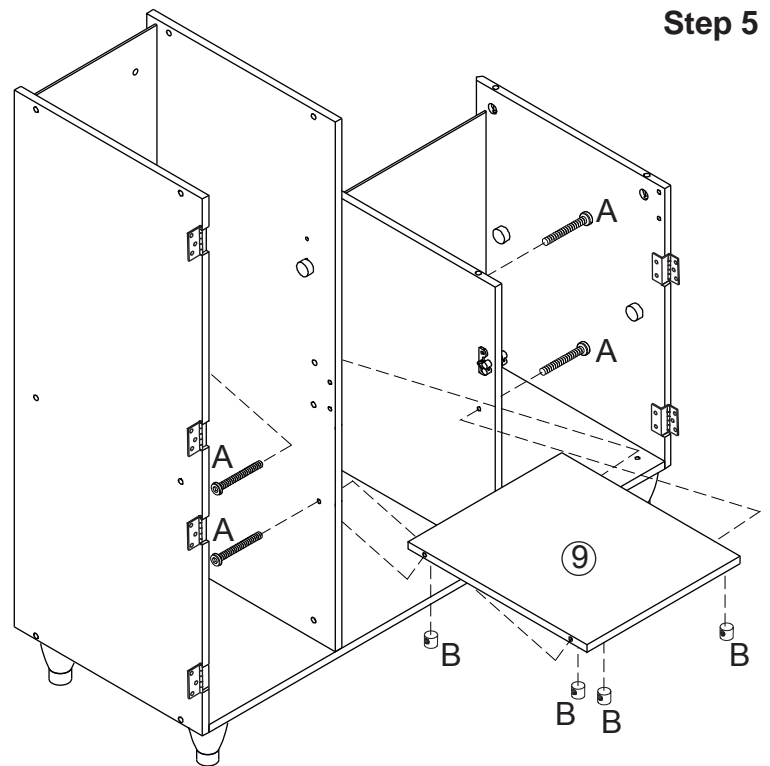
© 2010 KidKraft, LP

Item #53173B

Step 4



Step 5





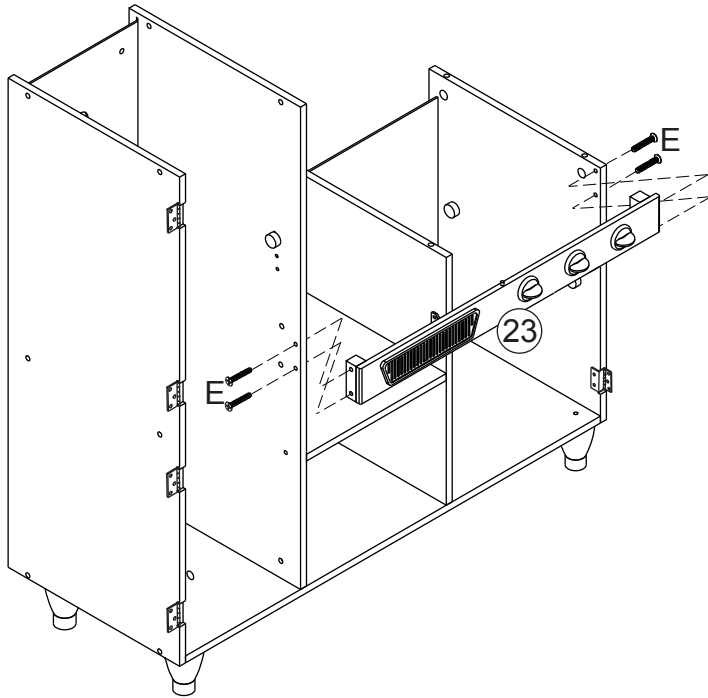
Red Retro Kitchen

Assembly Instructions

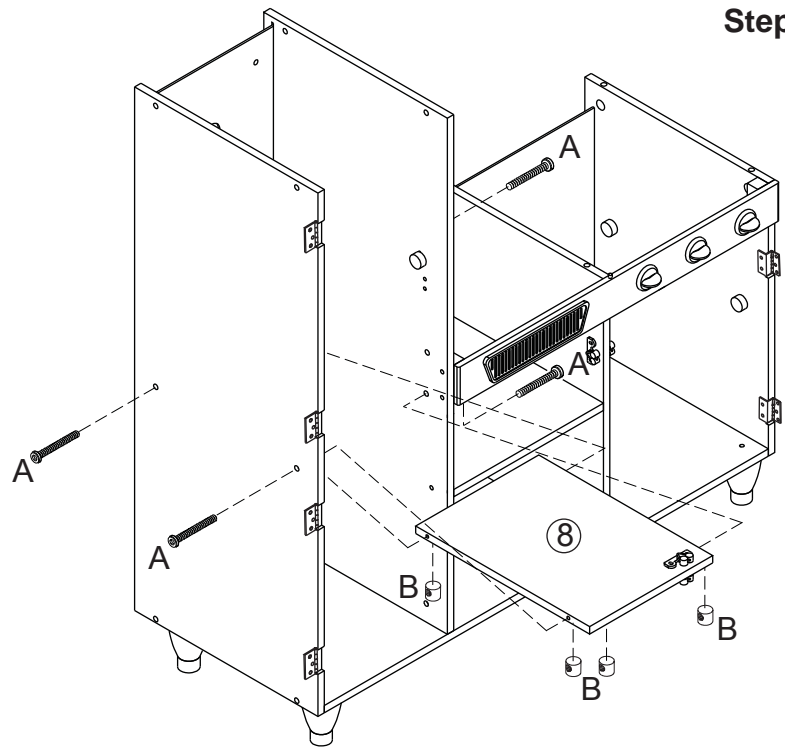
© 2010 KidKraft, LP

Item #53173B

Step 6



Step 7





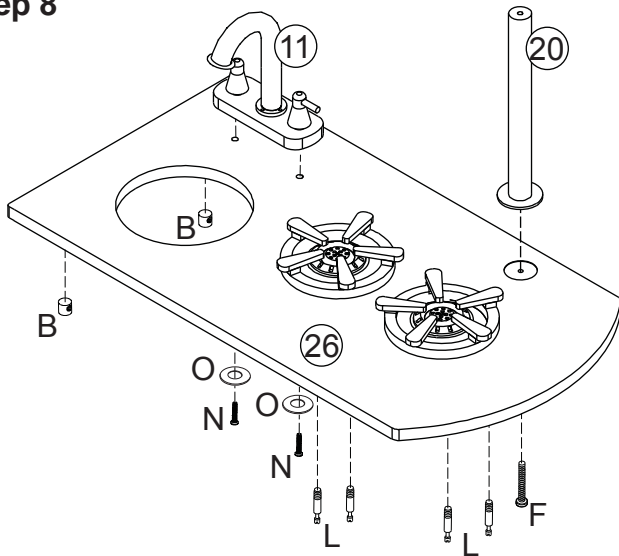
Red Retro Kitchen

Assembly Instructions

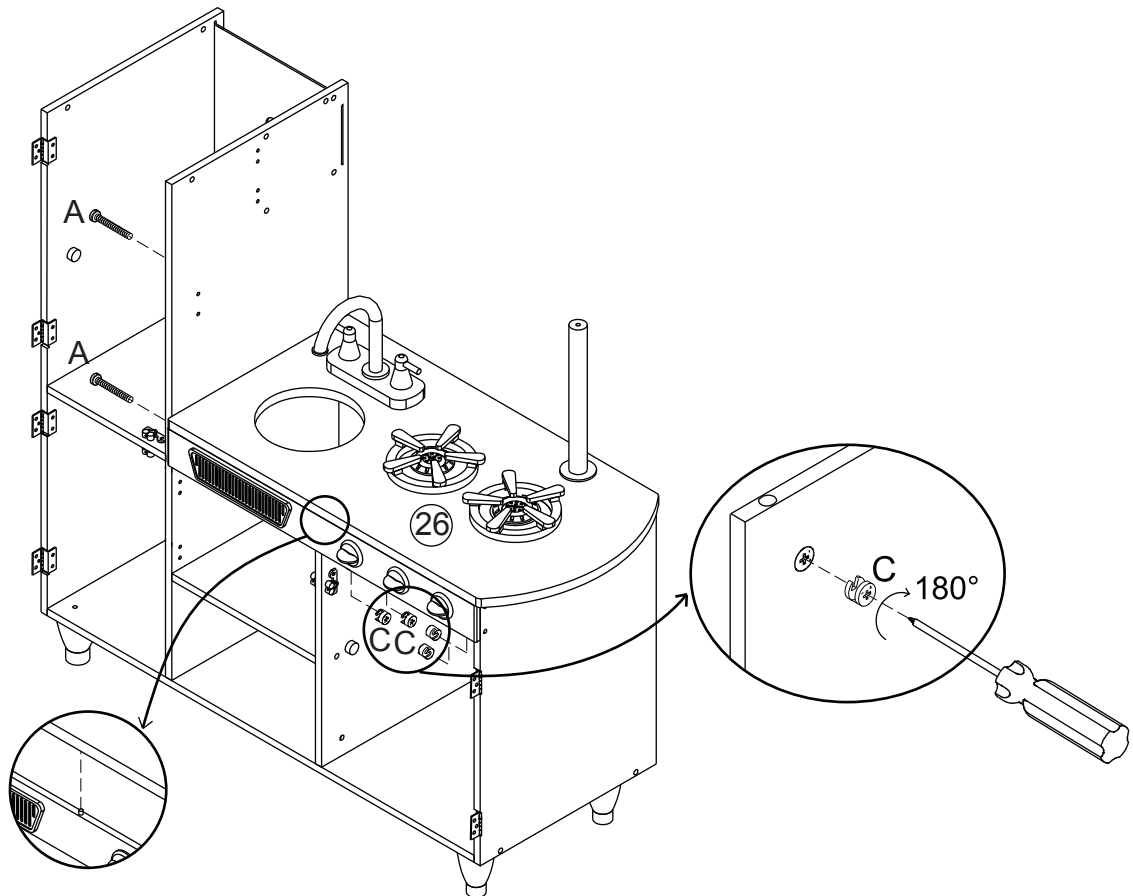
© 2010 KidKraft, LP

Item #53173B

Step 8



Step 9





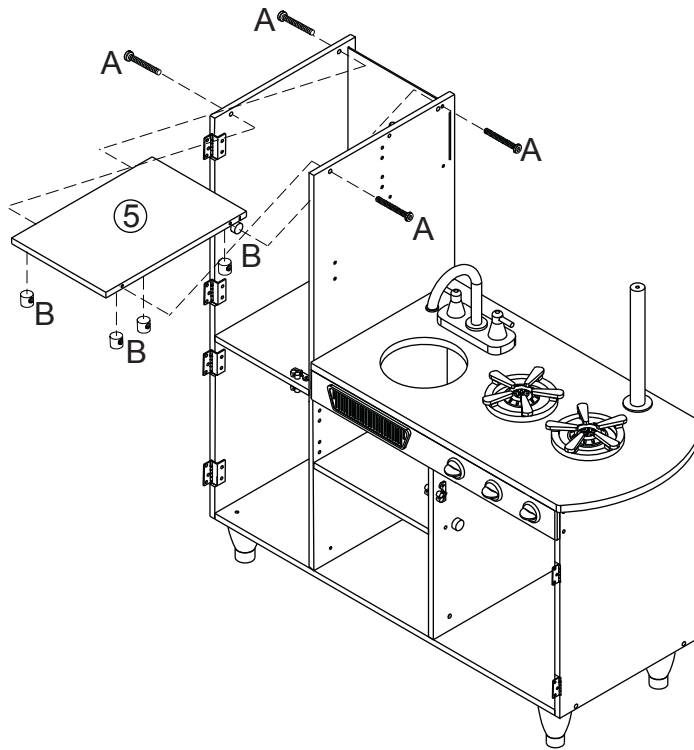
Red Retro Kitchen

Assembly Instructions

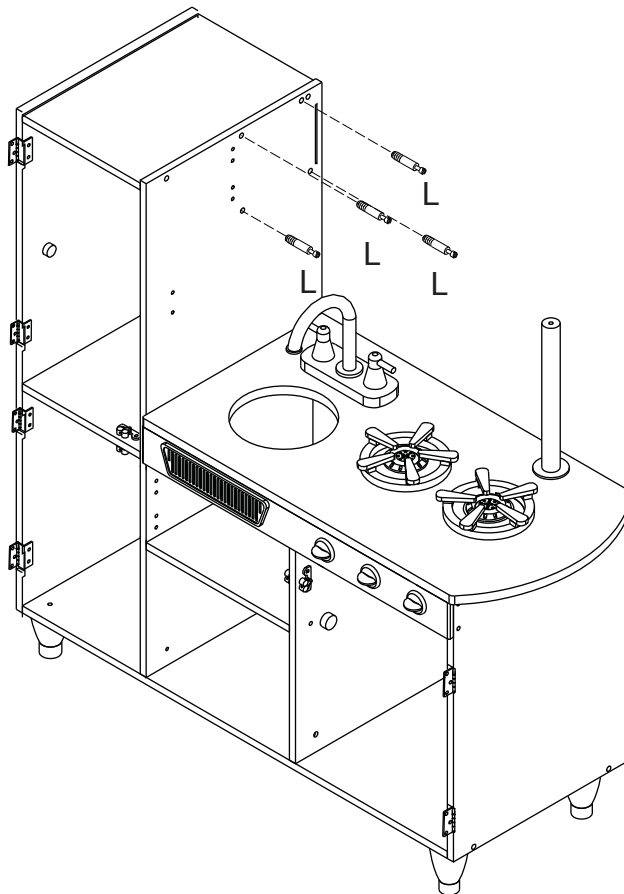
© 2010 KidKraft, LP

Item #53173B

Step 10



Step 11





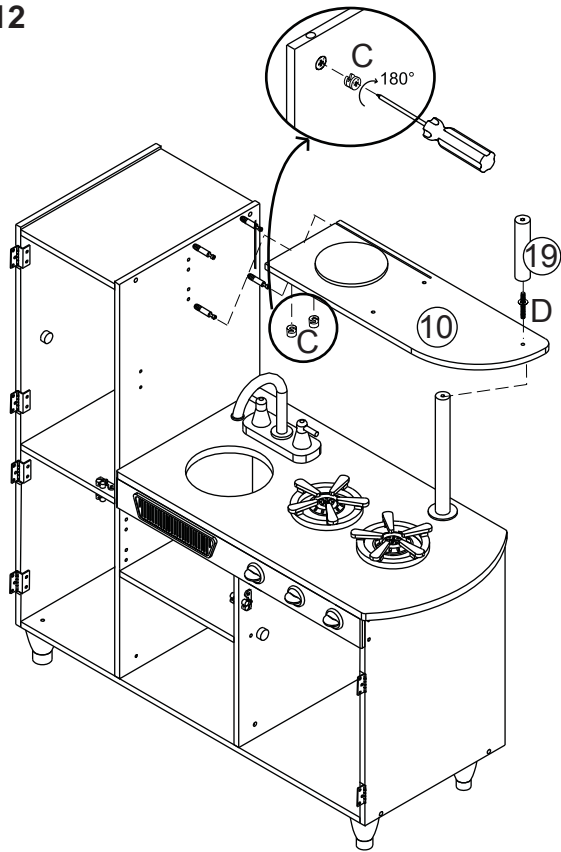
Red Retro Kitchen

Assembly Instructions

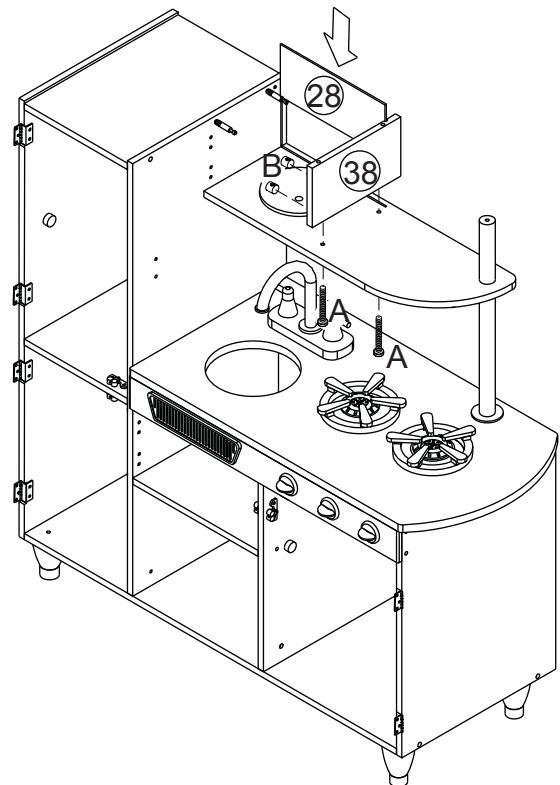
© 2010 KidKraft, LP

Item #53173B

Step 12



Step 13





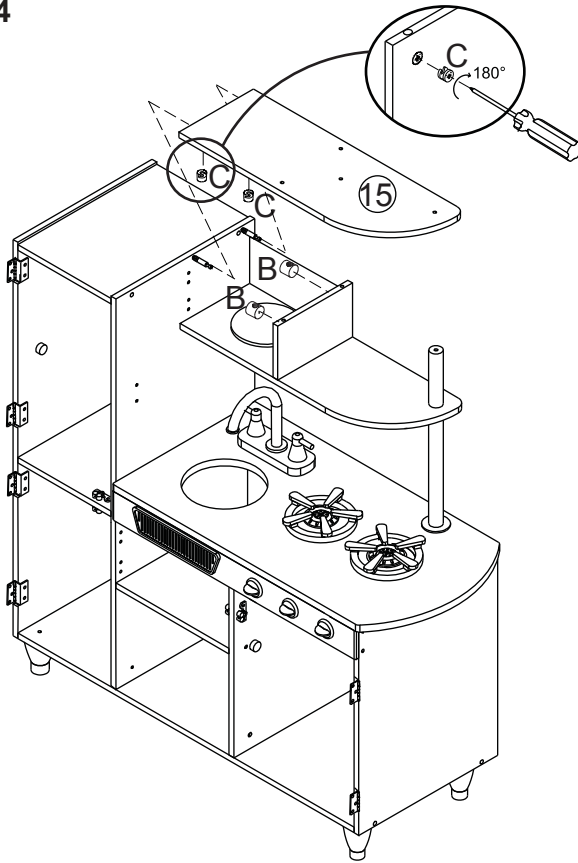
Red Retro Kitchen

Assembly Instructions

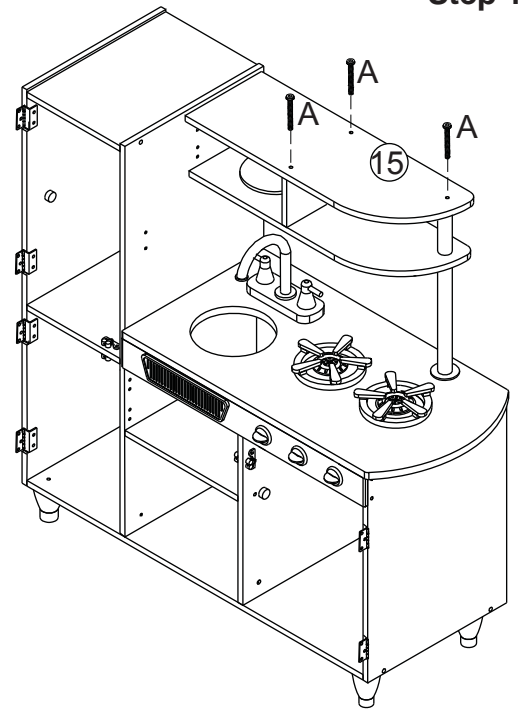
© 2010 KidKraft, LP

Item #53173B

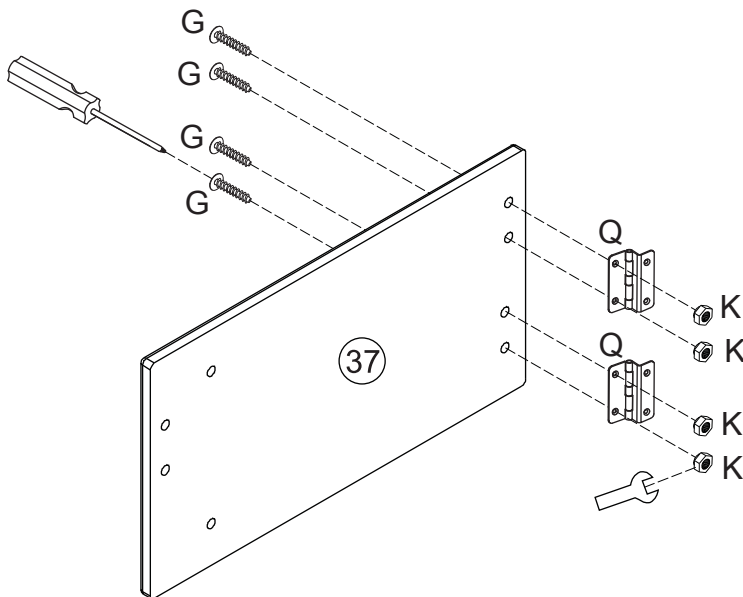
Step 14



Step 15



Step 16





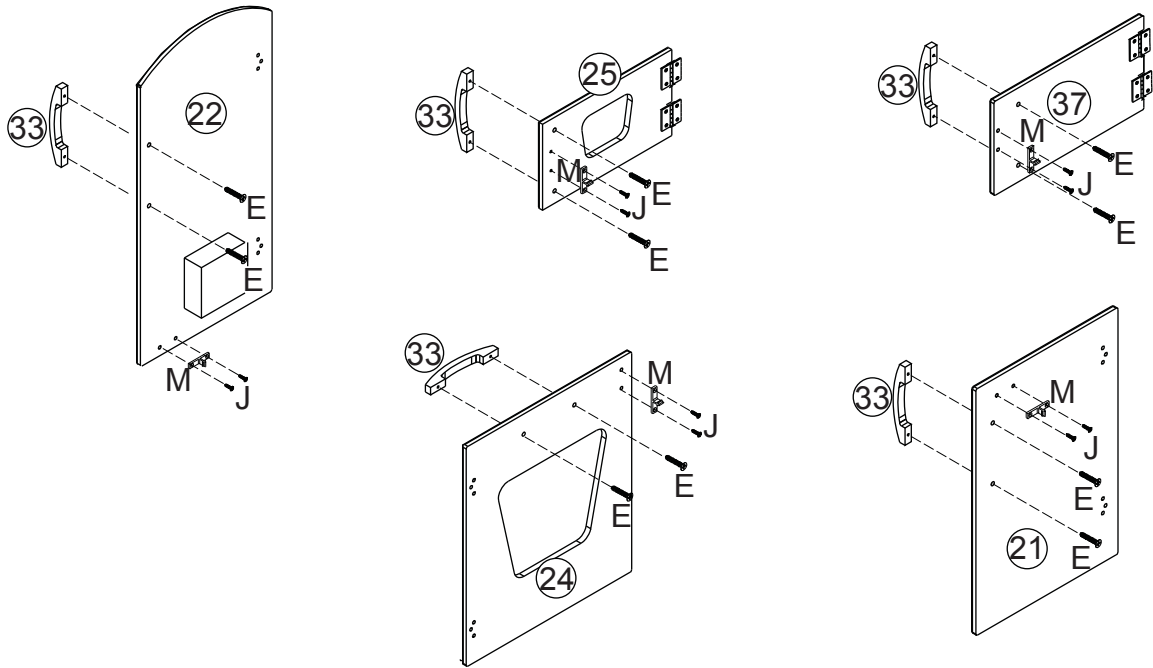
Red Retro Kitchen

Assembly Instructions

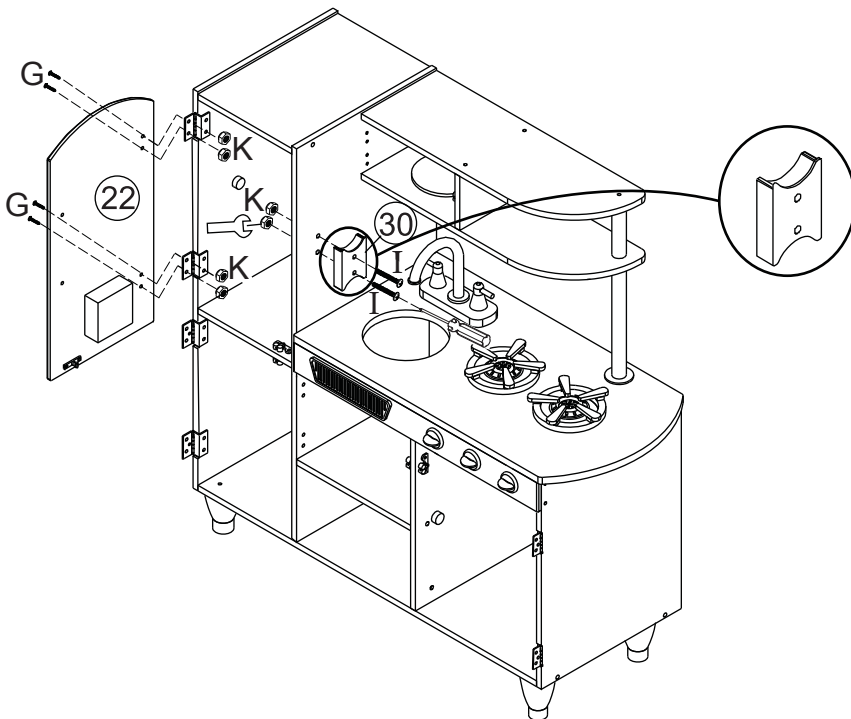
© 2010 KidKraft, LP

Item #53173B

Step 17



Step 18





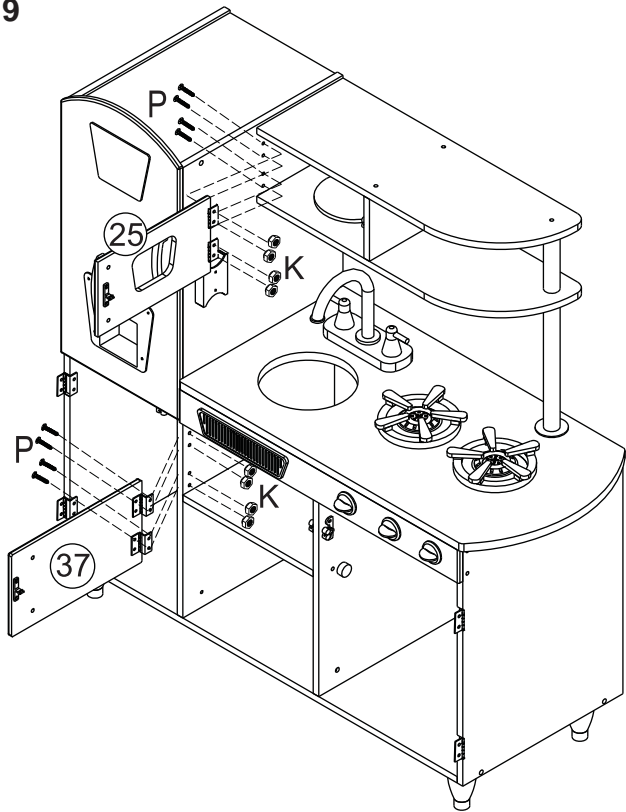
Red Retro Kitchen

Assembly Instructions

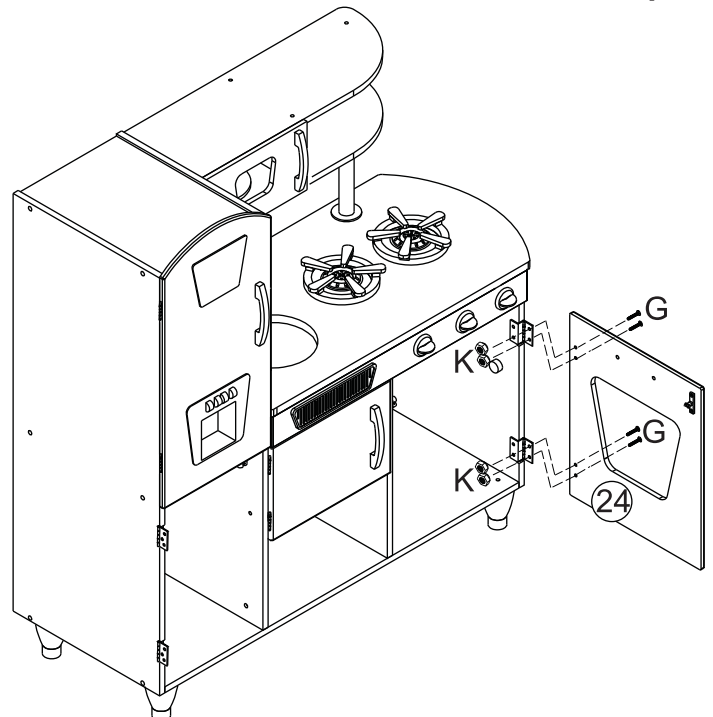
© 2010 KidKraft, LP

Item #53173B

Step 19



Step 20





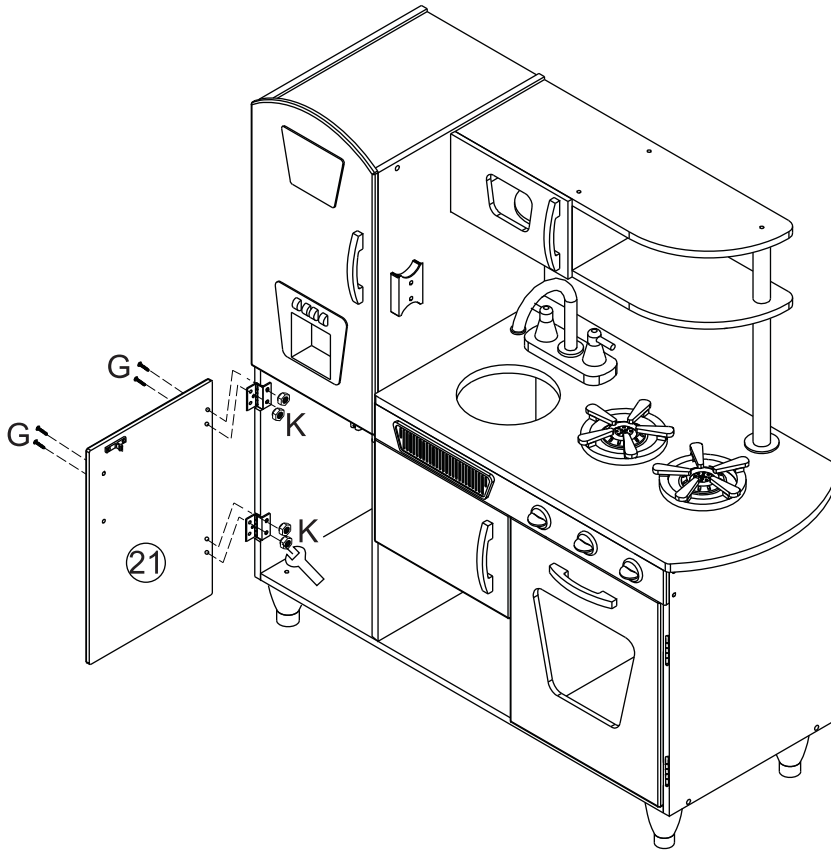
Red Retro Kitchen

Assembly Instructions

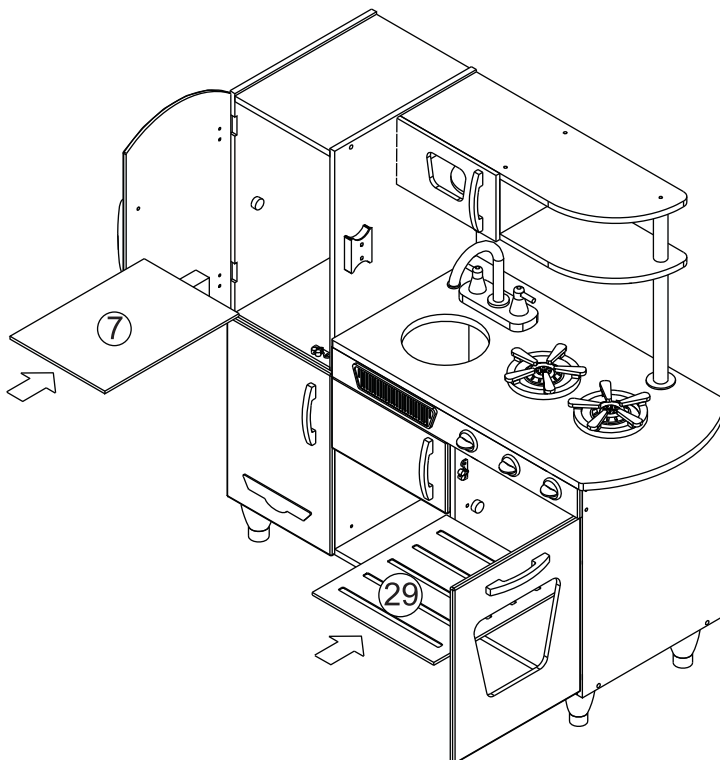
© 2010 KidKraft, LP

Item #53173B

Step 21



Step 22





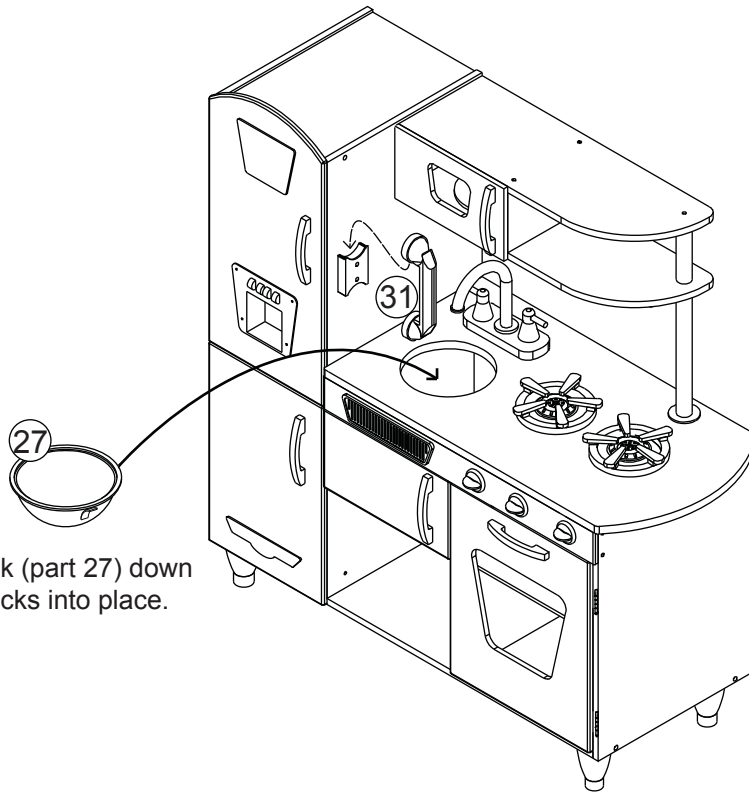
Red Retro Kitchen

Assembly Instructions

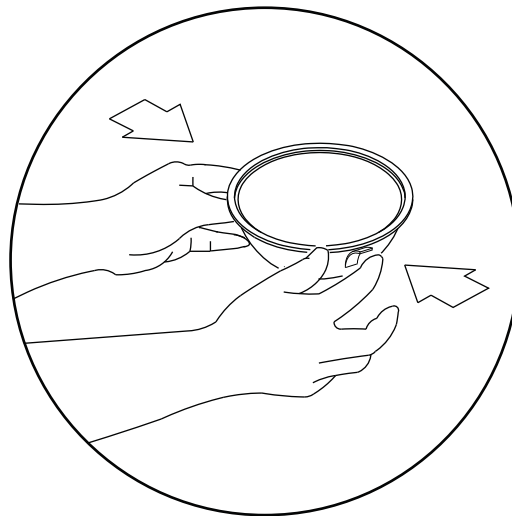
© 2010 KidKraft, LP

Item #53173B

Step 23



Push sink (part 27) down until it clicks into place.



To Remove Sink: The sink may only be removed by an adult. Hold the tabs and lift through the hole to release.

Parental supervision required.

This toy is intended for children of a specific age or above. Parents should supervise the play area so that children younger than the intended age range do not interact with this toy. Use this toy on the floor. Do not allow children to climb on or around or in the toy.

IMPORTANT INFORMATION - PLEASE READ FIRST

ALL OF OUR WOODEN ITEMS ARE HANDCRAFTED, HAND ASSEMBLED, AND HAND PAINTED. EACH ONE IS UNIQUE. SLIGHT IMPERFECTIONS MAY OCCUR AND ARE NOT MANUFACTURING DEFECTS.

PLEASE NOTE THAT WE DO NOT WARRANTY AGAINST THE USE OF PERMANENT MARKERS, NON-WATER-BASED PAINTS, CRAYONS, OR WASHABLE MARKERS. SOME OF THESE ITEMS CONTAIN PERMANENT COLOR DYES THAT COULD DAMAGE THE SURFACE.

CLEANING INSTRUCTIONS

CLEAN THE SURFACE USING A SLIGHTLY DAMP CLOTH AND MILD DISH WASHING LIQUID IF NECESSARY. DO NOT USE ANY CLEANING PRODUCT CONTAINING ALCOHOL OR AMMONIA. THESE WILL DULL THE SHINY SURFACE OF THE PRODUCT. FURNITURE POLISH WILL ALSO WORK TO CLEAN AND DUST OFF THE SURFACE.

WE RECOMMEND THAT YOU TEST ALL CLEANING MATERIALS ON THE UNDERSIDE OF ANY SURFACE THAT WOULD NOT BE SEEN DURING NORMAL USE OF THE PRODUCT. IF YOU HAVE QUESTIONS REGARDING THE MAINTENANCE OF THIS PRODUCT PLEASE FEEL FREE TO CALL US.

SOLE AND LIMITED WARRANTY

THIS TOY IS WARRANTED SOLELY AGAINST MANUFACTURING DEFECTS FOR A PERIOD OF 90 DAYS FROM THE DATE OF PURCHASE, WHICH WARRANTY RUNS ONLY TO THE ORIGINAL USER OF THE TOY. IN THE EVENT OF A MANUFACTURING DEFECT, PARTS WILL BE REPLACED OR THE ENTIRE PRODUCT WILL BE REPLACED OR THE PURCHASE PRICE WILL BE REFUNDED, AT THE ELECTION OF THE MANUFACTURER. TO ACTIVATE AND PROTECT THIS WARRANTY, PRESERVE EVIDENCE OF ORIGINAL PURCHASE AND CAREFULLY INSPECT THE CONDITION OF THE TOY PRIOR TO AND AFTER ASSEMBLY, LOOKING FOR MISSING, DEGRADED, BROKEN OR HAZARDOUS PARTS, INCLUDING PARTS WHICH CAN BE SWALLOWED BY A CHILD, CAUSE A CHILD TO CHOKE, OR OTHERWISE CAUSE INJURY. SUCH PARTS MAY INCLUDE MAGNETS, WHEELS, HUBS, FASTENERS, AND CONNECTORS. SHOULD YOU OBSERVE ANY DEFECTS, DO NOT USE THE TOY AND IMMEDIATELY NOTIFY THE MANUFACTURER. FAILURE TO DO SO SHALL CONSTITUTE MISUSE. MISUSE, IMPROPER ASSEMBLY, FAILURE TO HONOR A WARNING, FAILURE TO SUPERVISE, INSPECT OR MAINTAIN THE TOY, OR DAMAGE TO THE TOY, WHETHER INTENTIONAL OR INADVERTENT, SHALL INVALIDATE THIS WARRANTY.